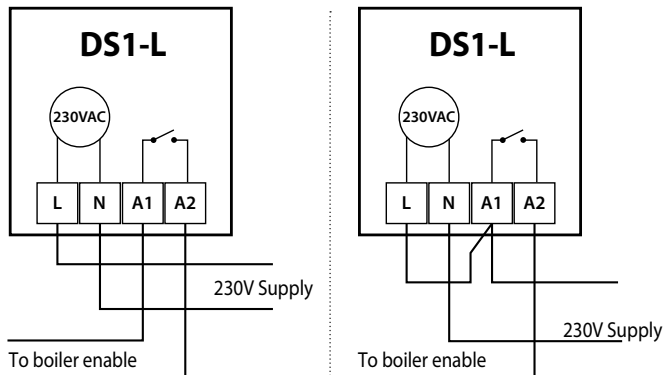




Wiring Diagram



Volt Free Switching Mode

230V Switching Mode

Want More Information?

Call our support team on: +44 (0)1254 669090

Or view technical specifications directly on our website:
www.heatmiser.com



PDF



FAQ

Rev 2.0

heatmiser®



Model: **DS1-L**



Introduction

The Heatmiser DS1-L dial type thermostat is suitable for conventional or combi-boiler systems.

This thermostat incorporates the following functions;

- Adjustable Switching Differential
- Digital LCD
- 230v AC, 3A Switching

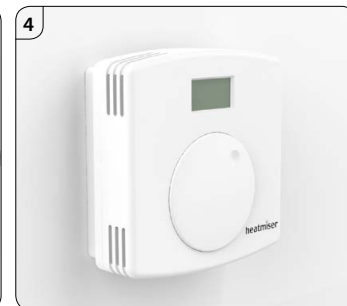
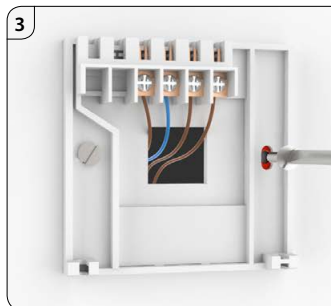
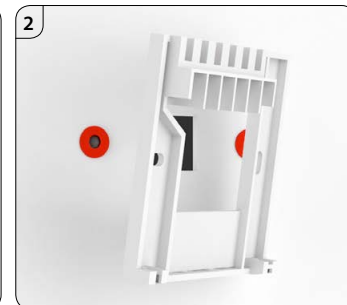
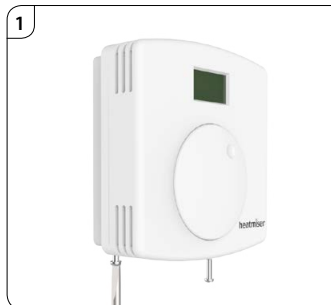


Installation

IN ORDER TO AVOID ANY RISK OF ELECTRIC SHOCK, TURN OFF THE POWER TO THE HEATING SYSTEM.

This dial thermostat is designed to be surface mounted.

1. Separate the front part of the thermostat by unscrewing securing screws on the bottom face of the thermostat.
2. Mark 2 hole positions on the wall using the backplate as a positioning template. Drill at the marked positions and insert a wall plug in to each hole.
3. Terminate the thermostat as per wiring diagram and screw the DS1-L back plate to the back box.
4. Reconnect the thermostat front plate and insert the securing screws.

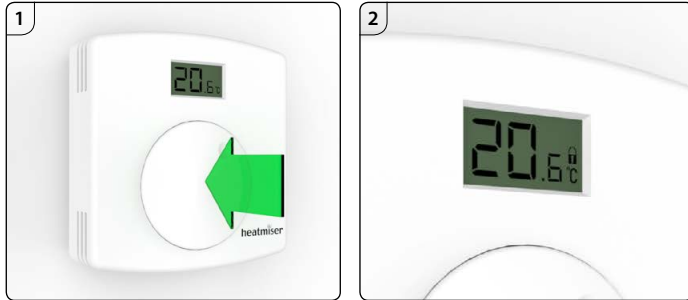


LCD Display Icons



Lock Facility

The Heatmiser DS1-L has a lock facility. To lock the thermostat, press and hold down the dial for 10 seconds. You will see a lock symbol appear. To unlock, repeat the steps above.



Setting The Temperature

In normal mode, the display shows the actual room temperature. To change the set point, rotate the dial until the digital LCD displays the new set temperature.



Switching Differential

The Heatmiser DS1-L offers 1, 2 and 3°C switching differential.

With a 1°C switching differential the heating will switch on 1°C below the set temperature and will turn off when the set temperature is reached.

A 2°C will turn the heating on 2°C below the set temperature.

3°C will switch the heating on 3°C below the set temperature.

To set the differential, you should set the DIP switches according to the table below. The DIP switch can be accessed from the back of the thermostat (shown opposite).

1	1 °C Switching	Switch 1 & 2 OFF
2	2 °C Switching	Switch 1 ON and Switch 2 OFF
3	3 °C Switching	Switch 1 OFF and Switch 2 ON

